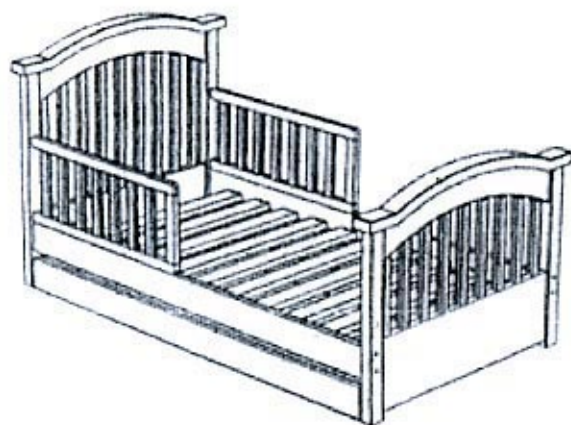


IMPORTANT; READ CAREFULLY AND RETAIN FOR FUTURE REFERENCE
SOMEBODY ELSE USES YOUR BED, PLEASE ENSURE THEY KNOW HOW TO USE IT PROPERLY

INSTRUCTIONS



Toddler bed

SAFETY INSTRUCTIONS & WARNINGS

- **WARNING;** Failure to follow these warnings and the assembly instructions could result in serious injury or death.
- **DO NOT** place bed near windows where cords from blinds or drapes may strangle a child.
- **THE MINIMUM** age shall not be less than 18 months and the **Maximum weight** shall not be greater than 50lbs. (22,7 Kg).
- **THE MATTRESS** intended for use on the bed shall be a full size Mattress having minimum dimensions of 51 1/2 in (1310mm) in length and 27 1/2 in (690mm) width and thickness of 4 inches (100mm) or a greater thickness as specified by the manufacturer.
- **ALWAYS** place bed on a flat and horizontal surface.
- **DO NOT** use bed if any parts are broken or missing.
- **DO NOT** use replacement parts other than those Recommended or supplied by manufacturer.
- **CHECK** all bolts periodically. Make sure they are fastened securely.

PARTS CHECKLIST



1 Headboard



1 Footboard



2 Safety Rails



2 Side Rails



1 Support Slats kits



1 Drawer Front



1 Drawer Back



2 Drawer Side



1 Drawer center divider



2 Bottom panel



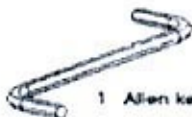
6 2 Inch Allenhex



8 3 1/2 Inch Allenhex



8 Barrel nuts.



1 Allen key.



12

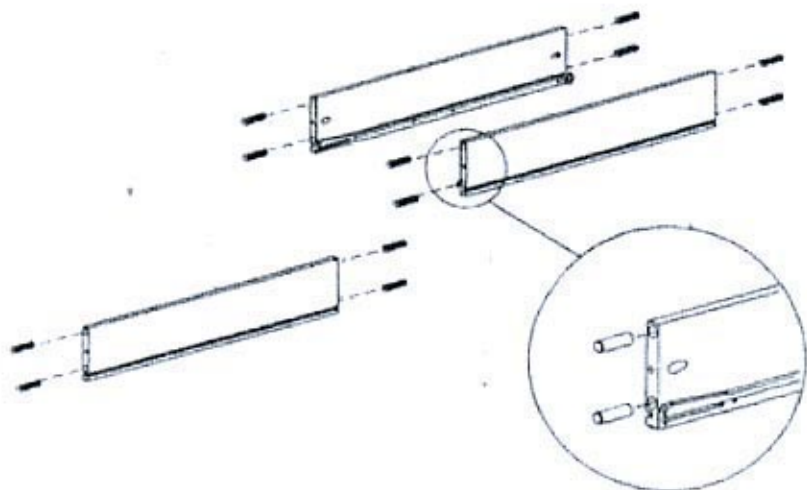


26

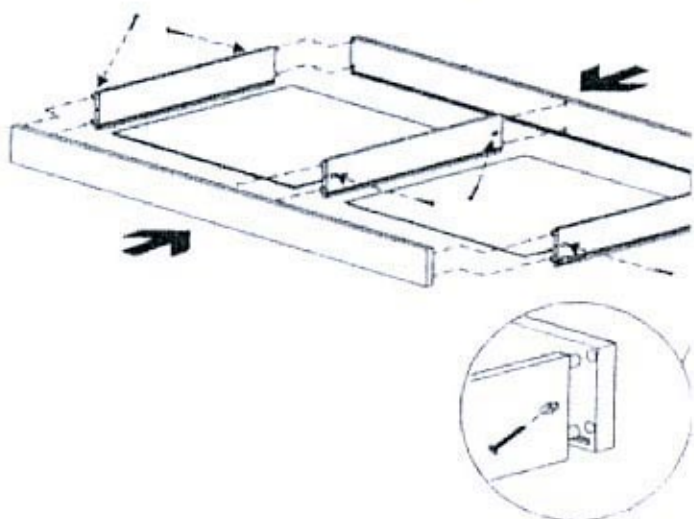


Drawer Instruction

Insert the dowels on the drawer sides and drawer center.



5



6

