

Fashion Bed Group

A Division of Leggett & Platt Incorporated

Part List For Kaitlyn/Anna Bed

PART #313001 HARDWARE BAG FOR BED

- (1) 1/4-20 X 1 3/4 ALLEN HEAD SCREW (4)
- (2) 1/4-20 X 1 ALLEN HEAD SCREW (4)
- (3) 1/4-20 HEX NUT (4)
- (4) 1/4 I.D. METAL WASHER (8)
- ALLEN WRENCH

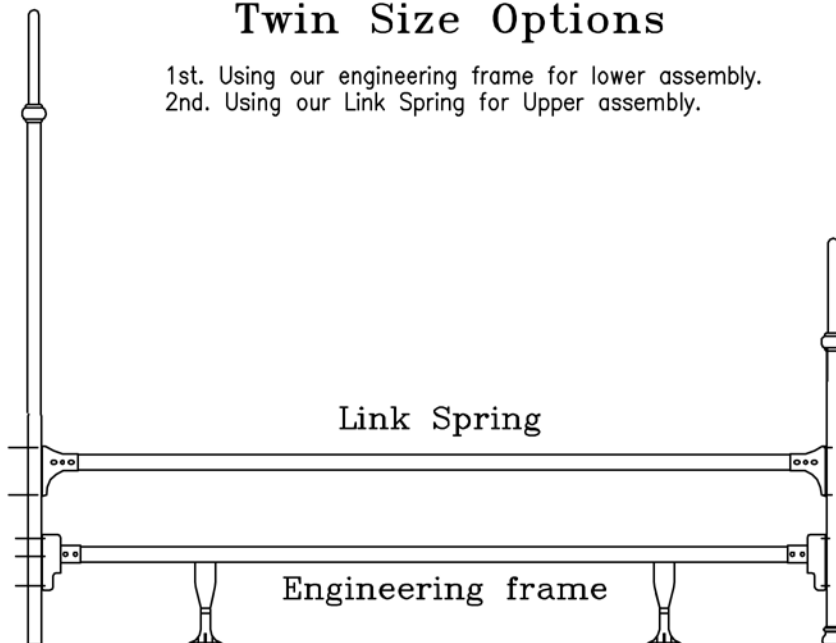
PART #313003 HARDWARE BAG FOR DUO

- (1) 1/4-20 X 1 3/4 ALLEN HEAD SCREW (4)
- (2) 1/4-20 X 1 ALLEN HEAD SCREW (4)
- (3) 1/4-20 HEX NUT (4)
- (4) 1/4 I.D. METAL WASHER (4)
- ALLEN WRENCH

- (9) PART #313001127 LEG. EXT. EGGSHELL 21 3/4 LONG (USED IN KAITLYN BED)
- (9) PART #313001139 LEG. EXT. SHERBERT 21 3/4 LONG (USED IN ANNA BED)
- PART #313002 PLASTIC GLIDE 1 1/8" UNIVERSAL

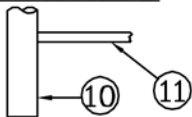
Twin Size Options

- 1st. Using our engineering frame for lower assembly.
- 2nd. Using our Link Spring for Upper assembly.

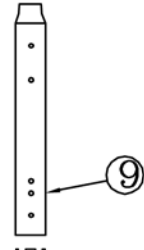
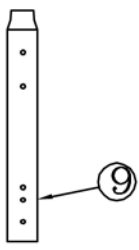
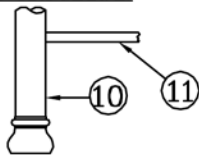


Instructions

Bed headboard



Duo headboard



To Attach Extension Legs to Headboard Twin & Full

Note for Duo Version: Extension legs (9) only to be used on headboard. If panel is used as footboard discard leg extensions.

Note for Duo Version: Duo Headboard will have a casting at the end of post.

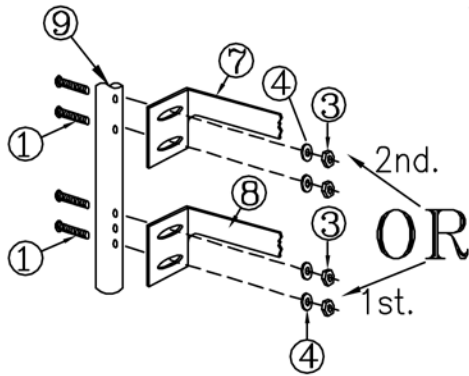
Carefully insert extension legs (9) into bottom of post (10) making sure the 5 holes on extension legs are perpendicular to the grill (11).

Plastic Glide

Plastic Glide

Instruction Sheet

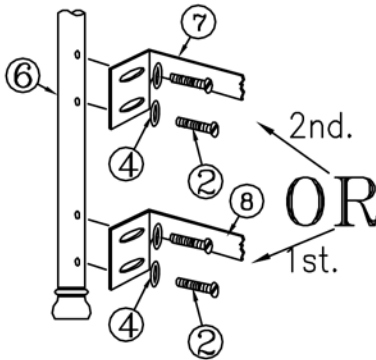
Twin Size



To Attach Headboard to Frame

Note: You have two options to use in twin size:
 1st. Using our engineering frame for lower assembly.
 2nd. Using our Link Spring for Upper assembly.

Using screws, washers and nuts which are included in hardware kit, insert screws (1) thru aligned holes on leg (9) and bracket (8 or 7), attach washer (4) with nuts (3) and tighten.



To Attach Footboard to Frame

Note: Make sure to use same assembly as headboard for footboard assembly.

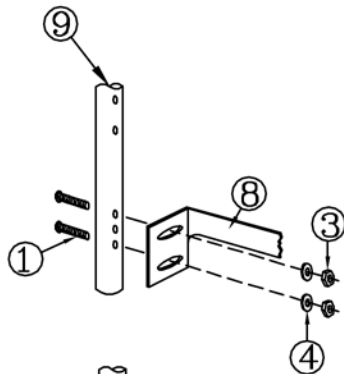
Align holes in post with holes in frame bracket (8 or 7). Insert screw (2) thru washer (4) and frame bracket into post (6). Repeat on other posts. Tighten all connections.

Full Size

To Attach Headboard to Frame

Note: You have only one options to use full size:
 1st. Use our engineering frame for lower assembly.

Using screws, washers and nuts which are included in hardware kit, insert screws (1) thru aligned holes on leg (9) and bracket (8), attach washer (4) with nuts (3) and tighten.



To Attach Footboard to Frame

Align holes in post with holes in frame bracket (8). Insert screw (2) thru washer (4) and frame bracket into post (6). Repeat on other posts. Tighten all connections.

